

**FORTINET**®



# Password Recovery

Step by Step Configuration Guide

## Intellectual Property

*The Copyright in this work is vested in **Fortray Networks Limited** and the document is issued in confidence for the express purpose for which it is supplied. It must not be reproduced, in whole or in part, or be used for any other purpose without prior written consent being obtained from **Fortray Networks Limited**, and then only on the condition that this notice is included in any such reproduction. No information as to the contents or subject matter of this document or any part thereof arising directly or indirectly therefrom shall be given orally or in writing or communicated in any manner whatsoever to any third party without the prior written consent of **Fortray Networks Limited**.*

© Copyright Fortray Networks Limited 2011-2020



## Table of Contents

Table of Contents .....	3
1. Version Control .....	4
2. Reference Document .....	4
3. Assumption .....	4
4. Fortray - Fortinet NSE4 - NOTE About Configuration Example .....	5
5. Fortray - Fortinet NSE4 - LAB Network Topology .....	6
6. Fortray - Fortinet NSE4 - LAB MGMT Access .....	7
7. Fortray - Fortinet NSE4 - LAB Spreadsheet .....	8
8. Fortray - Fortinet NSE4 - LAB Task: Admin Password Recovery .....	9
9. Fortray - Fortinet NSE4 - LAB Configuration: Admin Password Recovery .....	10
9.1 Step 1: Login using maintainer Account .....	10
9.2 Step 2: Setting admin password.....	11
10. Fortray - Fortinet NSE4 - LAB Verification .....	12
10.1 Step 1: Login to Fortinet NG Firewall .....	12



## 1. Version Control

Version	Date	Notes	Created By	Release
1.0	15/03/2019	Initial Draft	Mazhar Minhas	Draft
1.1	21/06/2020	LAB Diagram and Document Layout Update	Farooq Zafar	Initial Release
1.2	23/02/2022	Workbook design and screenshots update	Farooq Zafar	V 2.0

## 2. Reference Document

[Click for the Reference document](#)

## 3. Assumption

- ✓ We understand that delegate already understand L2/L3, Routing.
- ✓ The delegate already knows the “**Fortray Networks – FortiGate NG Firewall**” physical and logical connection.
- ✓ The delegate already has a basis Troubleshooting skill, such as ping and trace.
- ✓ The delegate already has access to the “**Fortray Networks – FortiGate NG Firewall**” Spreadsheet encompassing the Basic Layer, 2, 3 and allocated subnet information. For more details refer to the “**Student Folder**”.
- ✓ This document is created to show an example for one topology only. The candidate needs to refer to his own topology and follow this step-by-step guide.
- ✓ We assume that delegate already has installed the VPN software and him/she have VPN user / Password. If any issue, contact our technical team.
- ✓ Our VPN software is supported by PC, MAC, Android, and IOS devices.
- ✓ It’s also assumed that delegate has access to PC/Laptop i5 with 4GB RAM.
- ✓ For optimal connectivity, we recommend at least 10MB internet connection.
- ✓ We assume that we already have INTERNAL, DMZ, OUTISE interfaces that are already configured.

## 4. Fortray - Fortinet NSE4 - NOTE About Configuration Example



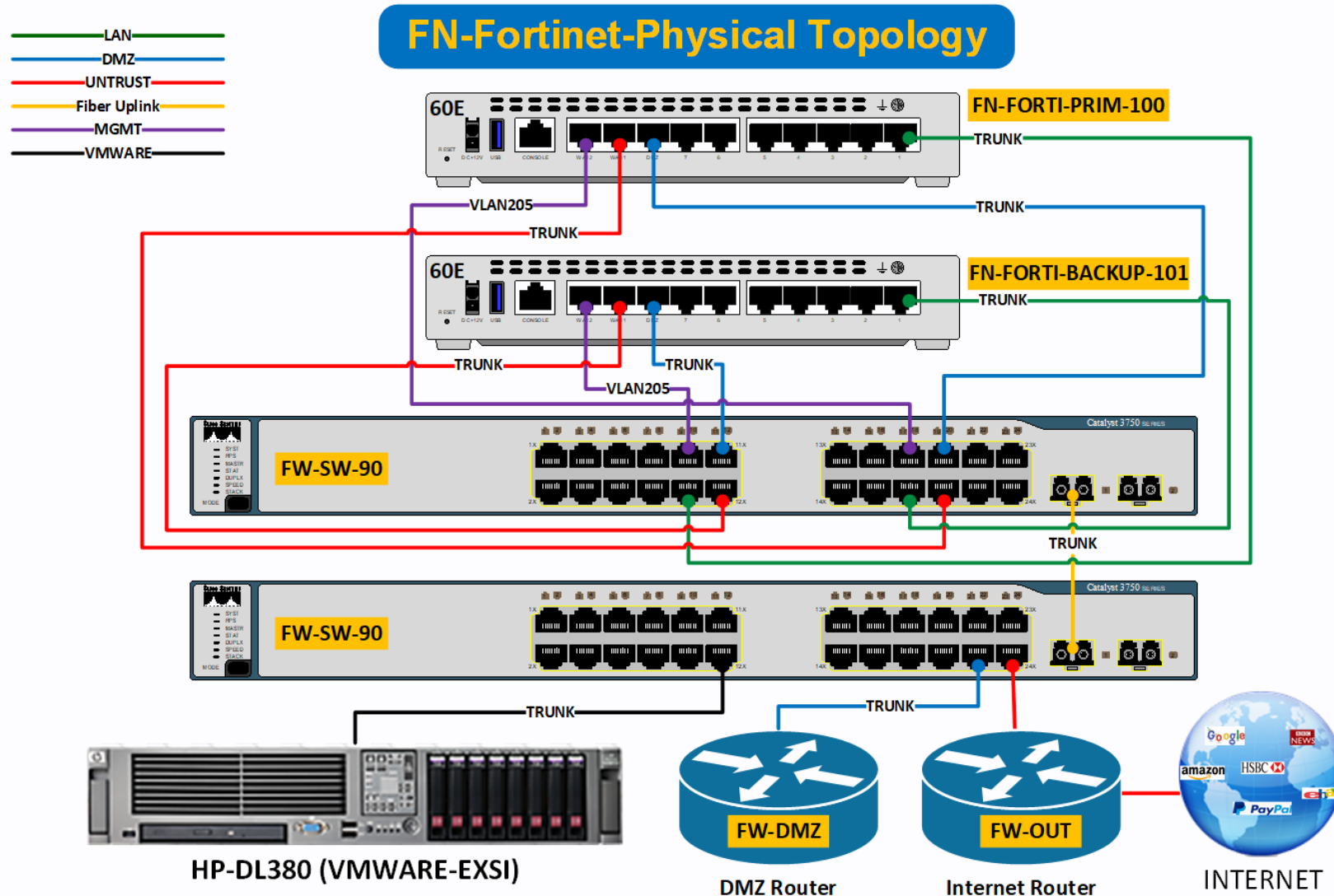
The configuration example is based in the “**VLAN-1**”.

Please refer to “**Student Spread Sheet**” and complete your task based on your Network Topology, & Task list assigned.



## 5. Fortray - Fortinet NSE4 - LAB Network Topology

The below network topology is just for information purpose only. Please refer to your student folder and your designated topology. If any doubt, please ask your instructor.



## 6. Fortray - Fortinet NSE4 - LAB MGMT Access

Refer to the below table and login to Fortinet NG Firewall, and Test machine.



Each delegate has his /her own test machine, refer to the spreadsheet provided in the student shared folder

Device Name	Type	IP	Access Method	Default User	Password	New Password
FN-FORTI-PRIM-100	NG Firewall	10.205.1.100	HTTPS/SSH	admin	admin	AD/user
FN-FORTI-BACK-101	NG Firewall	10.205.1.101	HTTPS/SSH	admin	admin	AD/user
FN-FORTI-PC-01	TEST PC	10.205.1.1	RDP	administrator	cisco	N/A
Remote-PC	Remote-PC	10.205.0.113	RDP	Refer to Spreadsheet		



**Warning:** Please don't change the above password for any devices.

## 7. Fortray - Fortinet NSE4 - LAB Spreadsheet

Refer to below table and login to NG Firewall, LAN, DMZ and WAN Interfaces:

VDOM	VLAN	Physical	INT Name	Trust VLAN	TRUST - IP	Physical	INT Name	DMZ VLAN	DMZ - IP	Physical	INT Name	UNTRUST VLAN	UNTRUST VLAN	PAT IP	NAT POOL IP	Static NAT PRIVATE IP	Static NAT GLOBAL IP
root	1	Internal1	LAN-1	1	10.1.1.254/24	dmz	DMZ-1	101	172.16.1.254/24	wan1	WAN-1	201	200.1.1.254/24	200.1.1.254/24	200.1.1.210-200.1.1.220	172.16.1.1/24	200.1.1.200/24
VDOM-2	2	Internal1	LAN-2	2	10.1.2.254/24	dmz	DMZ-2	102	172.16.2.254/24	wan1	WAN-2	202	200.1.2.254/24	200.1.2.254/24	200.1.2.210-200.1.2.220	172.16.2.1/24	200.1.2.200/24
VDOM-3	3	Internal1	LAN-3	3	10.1.3.254/24	dmz	DMZ-3	103	172.16.3.254/24	wan1	WAN-3	203	200.1.3.254/24	200.1.3.254/24	200.1.3.210-200.1.3.220	172.16.3.1/24	200.1.3.200/24
VDOM-4	4	Internal1	LAN-4	4	10.1.4.254/24	dmz	DMZ-4	104	172.16.4.254/24	wan1	WAN-4	204	200.1.4.254/24	200.1.4.254/24	200.1.4.210-200.1.4.220	172.16.4.1/24	200.1.4.200/24
VDOM-5	5	Internal1	LAN-5	5	10.1.5.254/24	dmz	DMZ-5	105	172.16.5.254/24	wan1	WAN-5	205	200.1.5.254/24	200.1.5.254/24	200.1.5.210-200.1.5.220	172.16.5.1/24	200.1.5.200/24
VDOM-6	6	Internal1	LAN-6	6	10.1.6.254/24	dmz	DMZ-6	106	172.16.6.254/24	wan1	WAN-6	206	200.1.6.254/24	200.1.6.254/24	200.1.6.210-200.1.6.220	172.16.6.1/24	200.1.6.200/24
VDOM-7	7	Internal1	LAN-7	7	10.1.7.254/24	dmz	DMZ-7	107	172.16.7.254/24	wan1	WAN-7	207	200.1.7.254/24	200.1.7.254/24	200.1.7.210-200.1.7.220	172.16.7.1/24	200.1.7.200/24
VDOM-8	8	Internal1	LAN-8	8	10.1.8.254/24	dmz	DMZ-8	108	172.16.8.254/24	wan1	WAN-8	208	200.1.8.254/24	200.1.8.254/24	200.1.8.210-200.1.8.220	172.16.8.1/24	200.1.8.200/24
VDOM-9	9	Internal1	LAN-9	9	10.1.9.254/24	dmz	DMZ-9	109	172.16.9.254/24	wan1	WAN-9	209	200.1.9.254/24	200.1.9.254/24	200.1.9.210-200.1.9.220	172.16.9.1/24	200.1.9.200/24
VDOM-10	10	Internal1	LAN-10	10	10.1.10.254/24	dmz	DMZ-10	110	172.16.10.254/24	wan1	WAN-10	210	200.1.10.254/24	200.1.10.254/24	200.1.10.210-200.1.10.220	172.16.10.1/24	200.1.10.200/24





## 8. Fortray - Fortinet NSE4 - LAB Task: Admin Password Recovery



In Fortray Head office one of old firewall is brought from storeroom and security engineer came to know that password is not known. To configure this device password must be reset.

In the activity, we are resetting admin password for FortiGate Primary Firewall.



Please Note, this workbook is for your information and learning. Please don't apply these settings in this LAB environment.

### Summary steps to be done by the network administrator are mentioned below: -

Steps needed to be done to accomplish this task is

- Connecting to Fortinet Primary Firewall using Console Cable
- Login using maintainer account
- Setting admin Password
- Verifying

## 9. Fortray - Fortinet NSE4 - LAB Configuration: Admin Password Recovery

In this section, we need to reset admin password using maintainer account.

### 9.1 Step 1: Login using maintainer Account

Connect FortiGate Firewall using Console Cable and on just after boot (within 14 seconds) enter username and password as below:

Username: maintainer / Password: bcpb<device serial number> (In our case: **maintainer/bcpbFGT60E4Q16019400**)

```
FortiGate-60E (16:57-06.07.2016)
Ver:05000009
Serial number: FGT60E4Q16019400
CPU: 1000MHz
Total RAM: 2 GB
Initializing boot device...
Initializing MAC... nplite#0
Please wait for OS to boot, or press any key to display configuration menu.....

Booting OS...
Reading boot image... 2887081 bytes.
Initializing firewall...

System is starting...
Starting system maintenance...
Scanning /dev/mmcblk0p1... (100%)
Scanning /dev/mmcblk0p3... (100%)
The config file may contain errors,
Please see details by the command 'diagnose debug config-error-log read'

FGS-FORT-1-100 login: maintainer
Password:
Welcome!

FGS-FORT-1-100 #
```

## 9.2 Step 2: Setting admin password

Using following CLI commands we can set admin user account password:

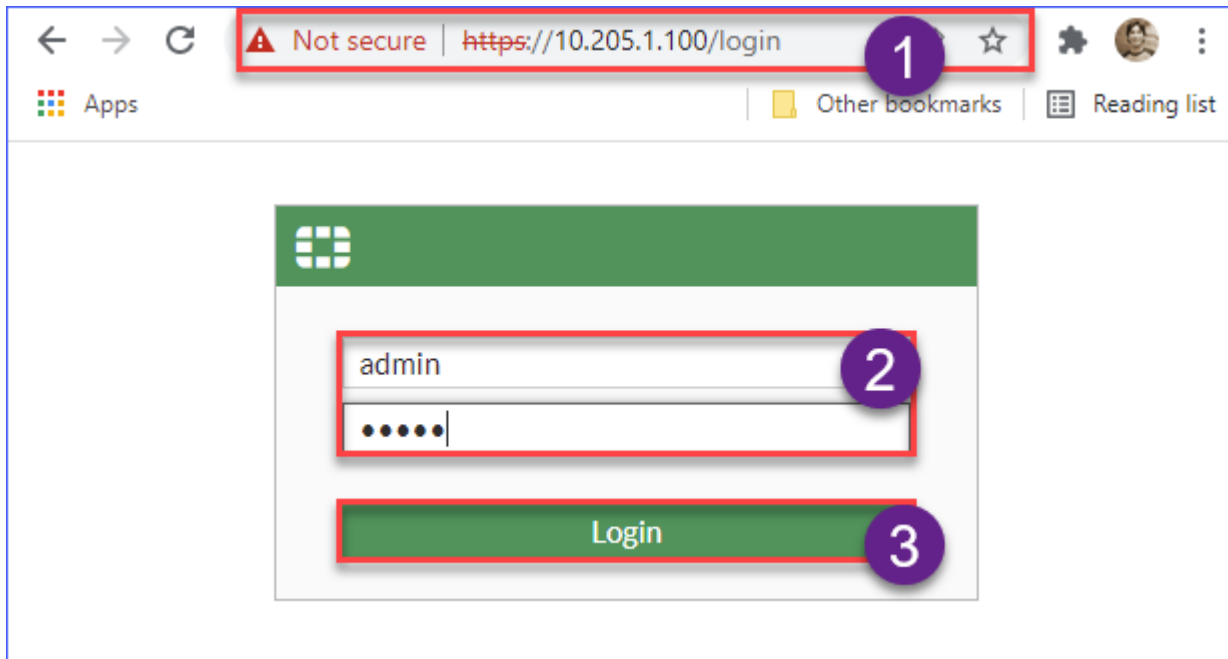
```
FGS-FORT-1-100 # config system admin
FGS-FORT-1-100 (admin) # edit admin
FGS-FORT-1-100 (admin) # set password admin
FGS-FORT-1-100 (admin) # end
FGS-FORT-1-100 #
```

## 10. Fortray - Fortinet NSE4 - LAB Verification

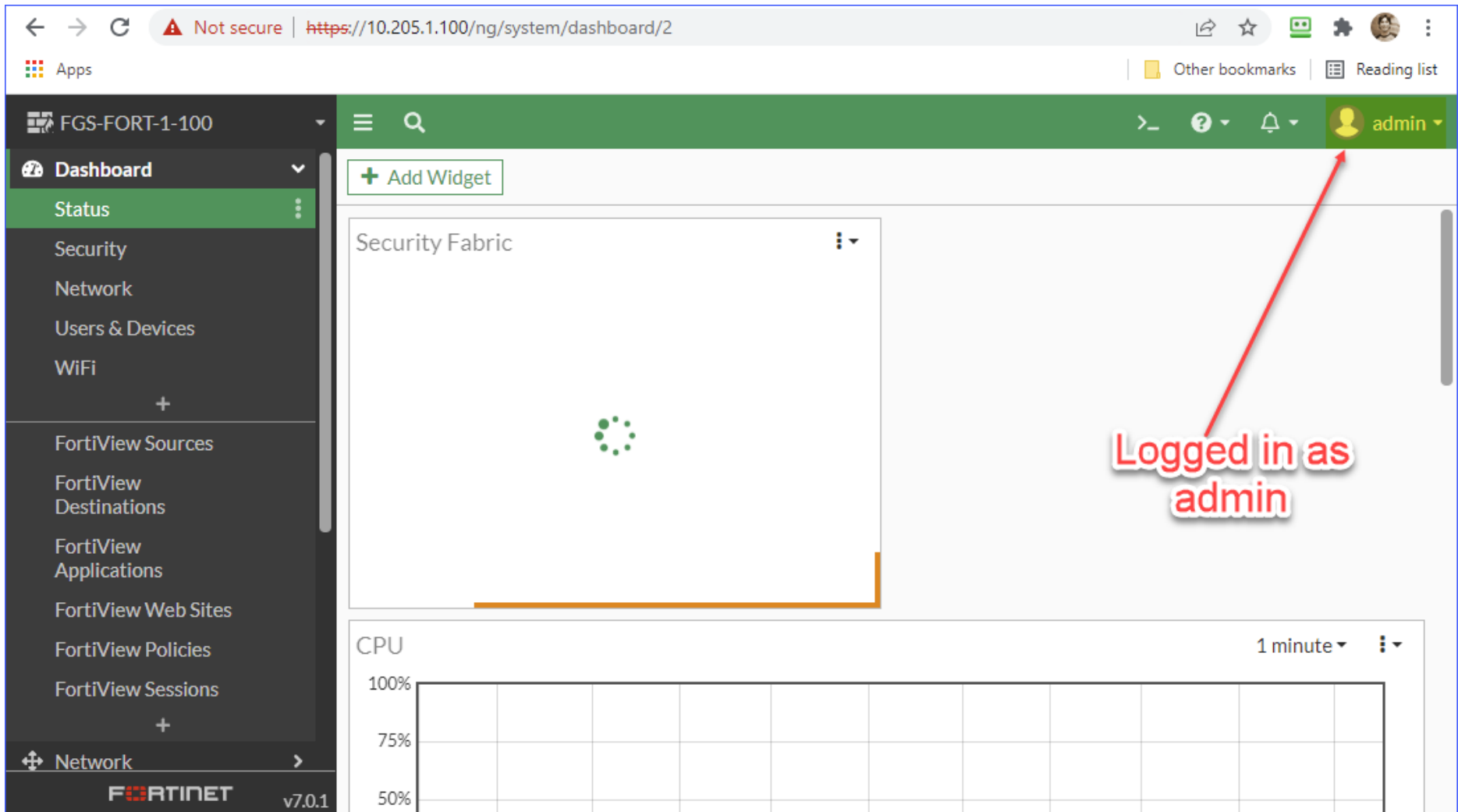
In this section, we will verify our configuration.

### 10.1 Step 1: Login to Fortinet NG Firewall

Open the page <https://10.205.1.100> in web browser using admin/admin.



After login, you will see system dashboard.



Thanks, and Good Luck

